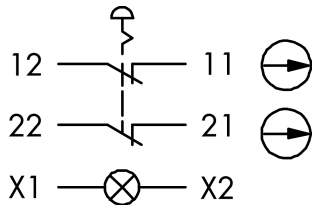
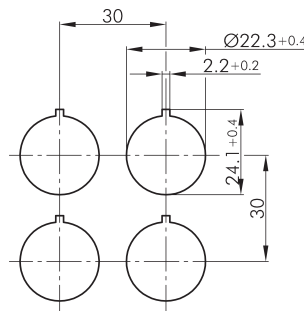
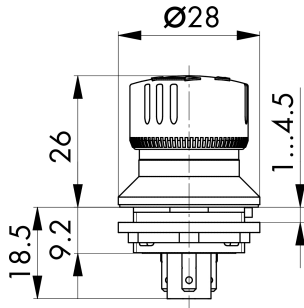




Active illuminated safety emergency-stop with position indication active/inactive FRVKDOO_AU

Description: delivery without diagnostic unit for LED monitoring
LED: 24V DC/18mA



Category:	Emergency-stops
Series:	SHORTRON®
Panel cut-out:	Ø 22.3 mm
Mounting depth:	25 mm
Degree of protection:	IP65 / IP67
Illumination:	yes
With labelling option:	no
Contact equipment:	2 NC
Connection type:	Faston terminals 2.8 x 0.8 mm
Front bezel	yellow
mushroom head	red/grey
Electrical life:	50,000 switching cycles at rated load
Storage temperature:	-40°C ... 80°C
Lamp socket:	none, with integrated 3 mm LED
Positive opening:	no
Shape:	round
Operating temperature:	-25°C ... 70°C
Mechanical life:	50,000 switching cycles
Foolproof:	yes
Anti-lock collar:	no
Switching position	yes
indicator:	
Release:	twist right or left
Contact material:	AgNi, gold-plated 5µm